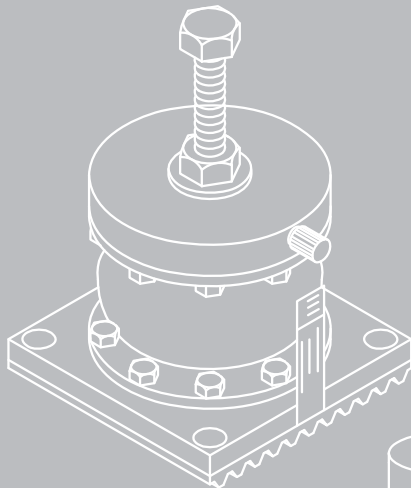
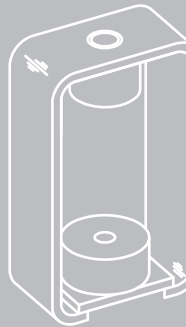
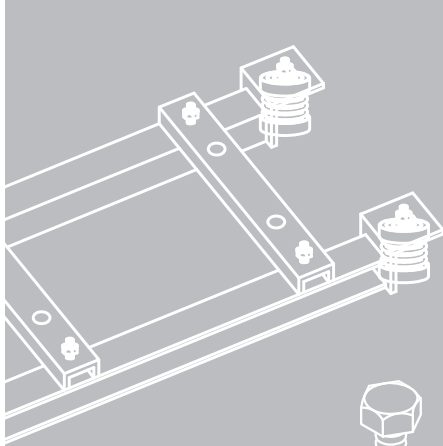
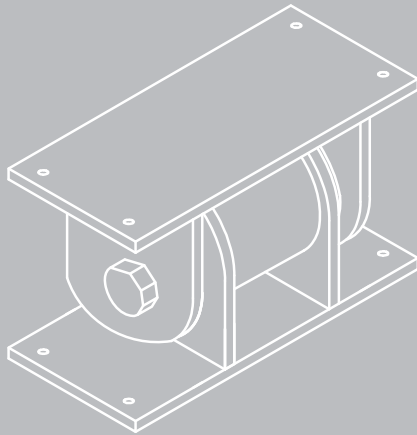
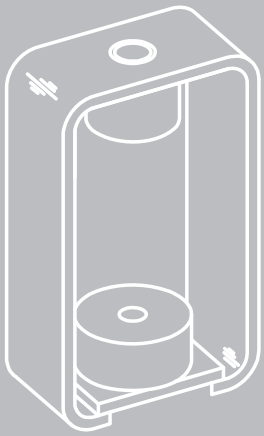




ESA-CL SPRING MOUNT

ESA-CL FREE STANDING SPRING ISOLATORS.
AVAILABLE IN 25, 50, 75 & 100mm DeFLECTION.



East Spring Absorbers, ESA a brand that will lead the way in the field of noise, vibration and seismic control.

REF:20160101-RO-JT

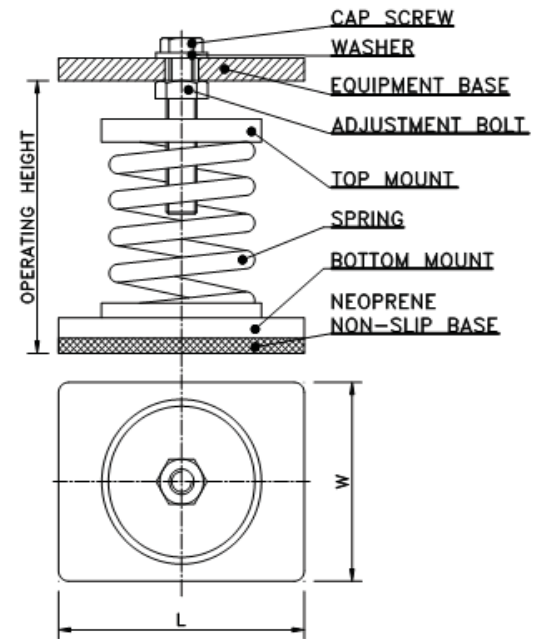


ESA, reserves the right to amend or modify the data without prior notice.

DIMENSIONS

MODEL	DIMENSIONS (mm) ± 5		BOLT $\varnothing d$
	W	L	
ESA-200~400C50S	86	150	No Bolt Required
ESA-500~1800C50	124	124	No Bolt Required

Type: C



DATA

MODEL	LOADING (KGS)	OPT H(mm) +/- 5	SPR CONSTANT (KGS/MM)	COLOUR CODE	SPRING (MM)	
					OD	FREE HT
ESA-200C50S	160~220	185	4	RED	68	130
ESA-250C50S	200~275	185	5	PINK	68	130
ESA-300C50S	240~330	185	6	DARK GREEN	68	130
ESA-350C50S	280~385	185	7	BROWN	68	130
ESA-400C50S	320~440	185	8	DARK BLUE	68	130
ESA-500C50	400~550	220	10	BLACK	93	165
ESA-550C50	440~605	220	11	PURPLE	93	165
ESA-600C50	480~660	220	12	PURE BLUE	93	165
*ESA-800C50	640~880	220	16	GREEN	93	165
*ESA-1000C50	800~1100	220	20	DARK GREY	93	165
*ESA-1200C50	960~1320	220	24	YELLOW	93	165
*ESA-1500C50	1200~1650	220	30	BLUE	93	165
*ESA-1800C50	1440~1980	220	36	GREY	93	165

*TWO SPRING DESIGN- SMALLER SPRING NESTED INSIDE OUTER SPRING.

FEATURES

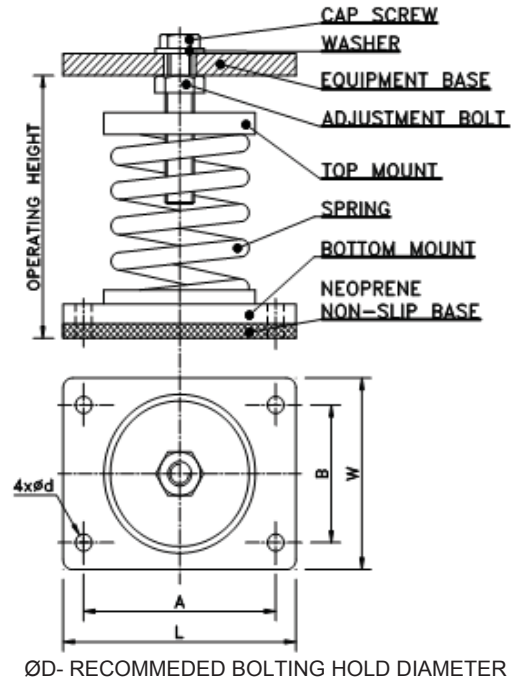
- ⊙ ESA-CL Spring Isolators Are Available in 25, 50, 75 & 100 mm Deflection to Absort Natural Frequency and With 6mm Non Skid Pad to Provide Isolation of Both High And Low Frequencies Vibration.
- ⊙ Spring Isolators are coated with Fusion Bounding Heat Treated Epoxy Paint
- ⊙ Application: Centrifugal Pumps, Floor Mount Air Cooled Condensers, Generators, Piping, Floating Floor Slap and Etc.

ESA, reserves the right to amend or modify the data without prior notice.

DIMENSIONS

MODEL	DIMENSIONS (mm) ± 5					BOLT $\varnothing d$
	W	B	L	A	D	
ESA-200~2000CL75	154	124	154	124	14	M12

Type: CL



DATA

MODEL	LOADING (KGS)	OPT H(mm) +/- 5	SPR CONSTANT (KGS/MM)	COLOUR CODE	SPRING (MM)	
					OD	FREE HT
ESA-200CL75	160~220	279	2.67	RED	120	224
ESA-250CL75	200~275	279	3.33	PINK	120	224
ESA-300L75	240~330	279	4	DARK GREEN	120	224
ESA-350CL75	280~385	279	4.67	BROWN	120	224
ESA-400CL75	320~440	279	5.33	DARK BLUE	120	224
ESA-450CL75	360~495	279	6	WHITE	120	224
ESA-500CL75	400~550	279	6.67	BLACK	120	224
ESA-550CL75	440~660	279	7.33	PURPLE	120	224
ESA-600CL75	480~660	279	8	PURE BLUE	120	224
ESA-700CL75	560~770	279	9.33	DARE RED	120	224
*ESA-800CL75	640~880	279	10.67	GREEN	120	224
*ESA-1000CL75	800~1100	279	13.33	DARK GREY	120	224
*ESA-1200CL75	960~1320	279	16	YELLOW	120	224
*ESA-1500CL75	1200~1650	279	20	BLUE	120	224
*ESA-1800CL75	1440~1980	279	24	GREY	120	224
*ESA-2000CL75	1600~2200	279	26.67	---	120	224

*TWO SPRING DESIGN- SMALLER SPRING NESTED INSIDE OUTER SPRING.



ESA-C SPRING MOUNT

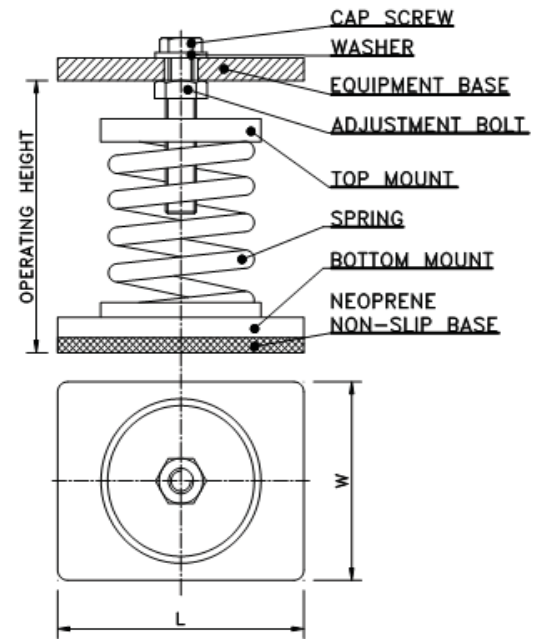
MODEL ESA-3-C DELFECTION 75mm



DIMENSIONS

MODEL	DIMENSIONS (mm) ± 5		BOLT $\varnothing d$
	W	L	
ESA-200~2000C75	154	154	No Bolt Required

Type: CL



DATA

MODEL	LOADING (KGS)	OPT H(mm)	SPR CONSTANT (KGS/MM)	COLOUR CODE	SPRING (MM)	
		+/- 5			OD	FREE HT
ESA-200C75	160~220	279	2.67	RED	120	224
ESA-250C75	200~275	279	3.33	PINK	120	224
ESA-300C75	240~330	279	4	DARK GREEN	120	224
ESA-350C75	280~385	279	4.67	BROWN	120	224
ESA-400C75	320~440	279	5.33	DARK BLUE	120	224
ESA-450C75	360~495	279	6	WHITE	120	224
ESA-500C75	400~550	279	6.67	BLACK	120	224
ESA-550C75	440~660	279	7.33	PURPLE	120	224
ESA-600C75	480~660	279	8	PURE BLUE	120	224
ESA-700C75	560~770	279	9.33	DARE RED	120	224
*ESA-800C75	640~880	279	10.67	GREEN	120	224
*ESA-1000C75	800~1100	279	13.33	DARK GREY	120	224
*ESA-1200C75	960~1320	279	16	YELLOW	120	224
*ESA-1500C75	1200~1650	279	20	BLUE	120	224
*ESA-1800C75	1440~1980	279	24	GREY	120	224
*ESA-2000C75	1600~2200	279	26.67	---	120	224

REF:20160101-R0-JT

*TWO SPRING DESIGN- SMALLER SPRING NESTED INSIDE OUTER SPRING.



www.esabrs.com

www.aceflo.com

Partnership with:

Ease Spring Absorbers, ESA is all about "looking after U"